
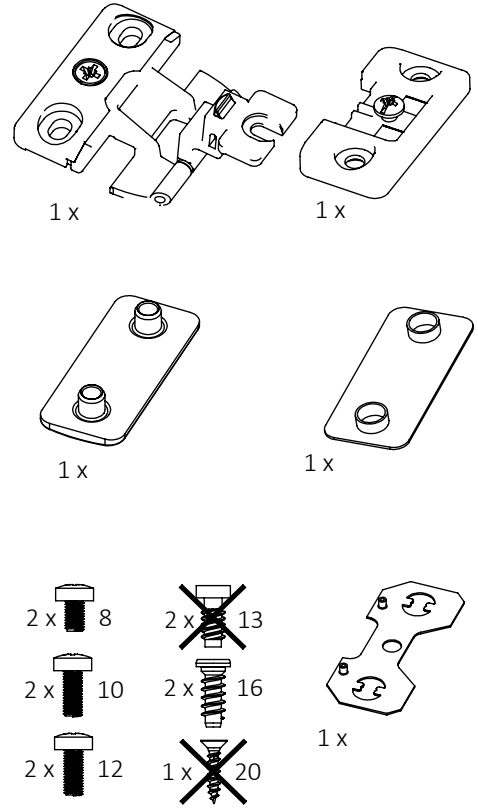
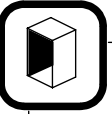
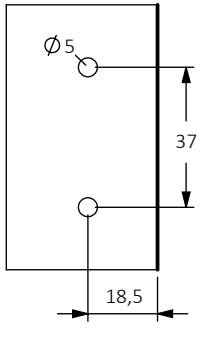
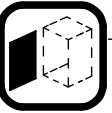
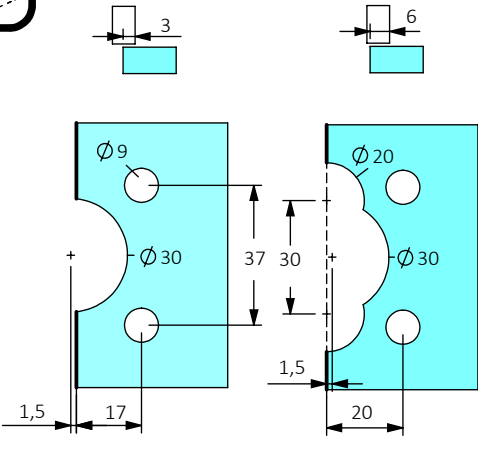
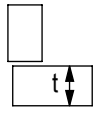
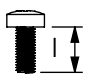
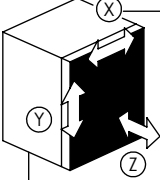


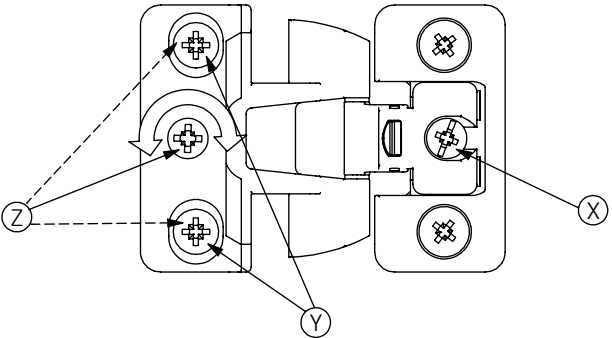
Montageanleitung / Mounting Instruction





	
t = 5	l = 8
t = 6	l = 10
t = 7	l = 10
t = 8	l = 12







PZ 2  
2 Nm

